

SOLATA

Cast Iron Boilers



SOLAIA



We are pleased to bring Solaia, a gem of European engineering and design, to the homes of America. Solaia boilers are manufactured in compliance with ISO 9002 standards and combine the high efficiency and convenient serviceability of European technology with Boyertown Furnace Company's more than 40 years of dependability, quality, and heating expertise.

Isn't it nice to know you're making the right choice?

You *can* get what you want ... and maybe more! The Solaia will provide exceptional value for your dollar, energy efficiency, proven performance, and comfort for years to come.

At the heart of it all is the belief that each homeowner is an individual and should be treated with the utmost respect. We at Boyertown Furnace are dedicated to this proposition and try to live up to it every single day.

With efficiencies up to 86.5% AFUE ...

Solaia addresses ever-growing concerns about fuel prices, the environment, and the need for preserving the world's natural resources.

Higher efficiencies are a must in Europe, where fuel bills are five times as high as they are in the United States. The Solaia's 3-pass design keeps heated flue gases inside your boiler longer for greater thermal efficiency.

*Available with Riello F5 (shown),
Riello BF5 (D.V.), Beckett AFG,
Beckett NX, or Carlin EZ-1 Oil Burners
... or Carlin EZ Gas Burner*



The optional Solaia Boiler Stand is 16" tall and can be used with the 3-5 section Solaia Boilers.

3 inches of thermal insulation to lower stand-by loss

Serviceability ...

The easy-to-remove front jacket panel allows access to a one-piece, swing-out door that is easy to open and can be completely removed from the vessel for internal inspection and overall maintenance.

A blend of technology and efficiency ...

The Solaia is a low-mass, wet-base boiler with steel push nipples. Constructed of GG20 cast iron for greater durability, excellent heat transfer, and resistance to corrosion, the Solaia is the result of over 50 years of engineering and manufacturing experience. The unique turnaround design of the rear casting creates optimal flue gas passages through the boiler for high efficiency. There are no baffles to remove and the flue passages are easily accessible for cleaning and servicing. The Solaia boiler is "Energy Star Rated" with efficiencies up to 86.5%.

Multi-Fuel Capability ... Oil or Gas!

The Solaia's service-friendly, quick-disconnect burner mount accommodates both Riello F5, Riello BF5 (D.V.), Beckett AFG, Beckett NX, and Carlin EZ-1 **oil** burners ... and the Carlin EZ **gas** burner.



Riello BF5 Oil Burner



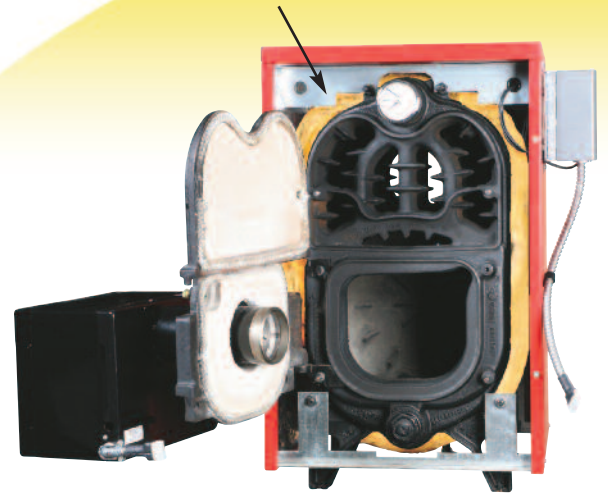
Beckett AFG Oil Burner



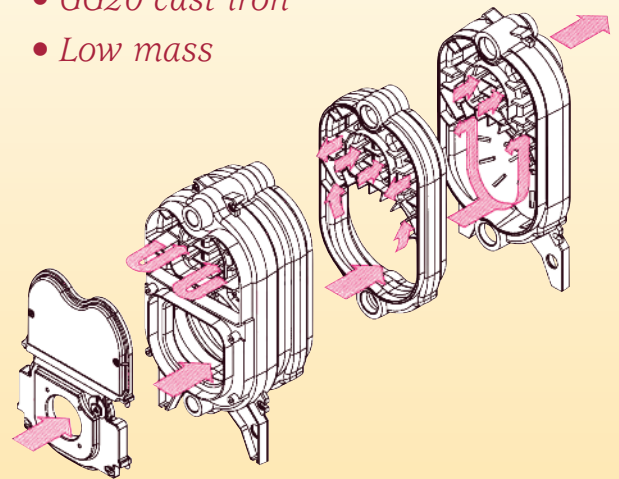
Carlin EZ-1 Oil Burner



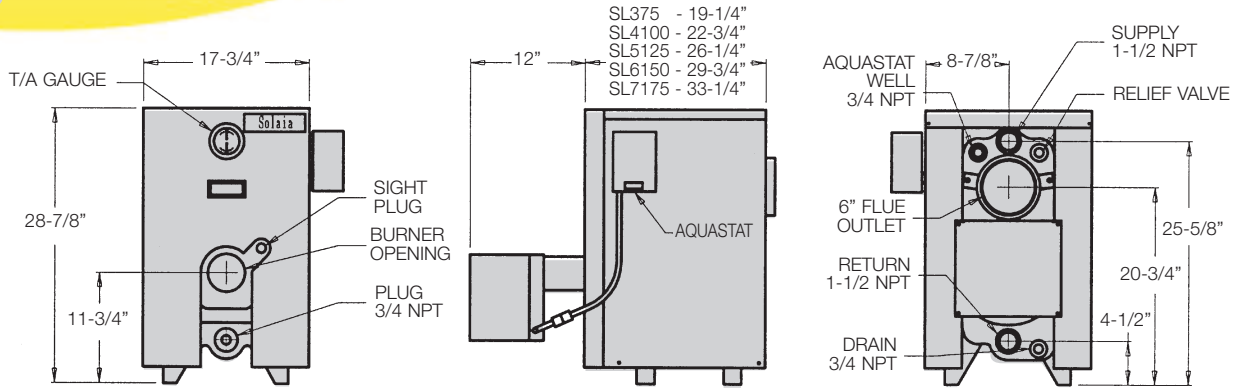
Carlin EZ Gas Burner



- *Left- or right-hinged front door is completely removable in tight installations (above)*
- *Superior serviceability with easy access to all flue passages*
- *3-pass wet-base design (below)*
- *GG20 cast iron*
- *Low mass*



- *High efficiency to 86.5%*
- *Standard design pressure to 58 psi*
- *Limited Lifetime Warranty*
- *Direct vent capabilities*
- *Positive pressure fired vessel*
- *Energy Star Rating*
- *Oil or gas fired*



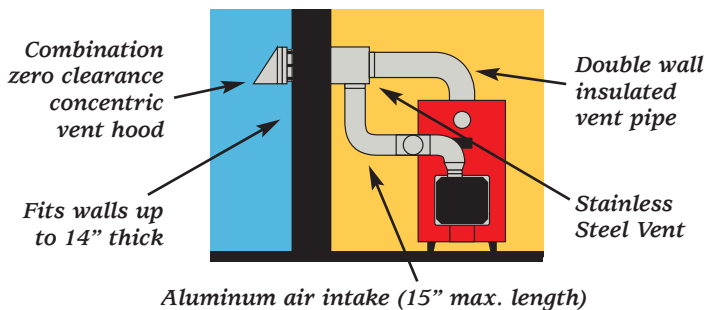
IBR/DOE RATINGS AND DATA

Boiler Model No.	SL375	SLD375*	SL4100	SLD4100*	SL5125	SLD5125*	SL6150	SL7175
Firing Rate - #2 Fuel	0.75	0.75	1.00	1.00	1.25	1.25	1.50	1.75
Input BTU/HR (Oil)	105,000	105,000	140,000	140,000	175,000	175,000	210,000	245,000
DOE Capacity BTU/HR (Oil)	91,000	91,000	122,000	122,000	153,000	153,000	184,000	208,250
Net IBR Rating BTU/HR (Oil)	79,000	79,000	106,000	106,000	133,000	133,000	160,000	181,100
Net Rating Sq. Ft. (Oil)	526	526	707	707	887	887	1,067	1,207
AFUE Rating (Oil)	85.0	85.0	86.1	86.1	86.5	86.5	86.4	85.0
Input BTU/HR (Gas)	90,000	NA	115,000	NA	150,000	NA	175,000	245,000
DOE Capacity BTU/HR (Gas)	76,000	NA	98,000	NA	127,000	NA	148,000	204,000
Net IBR Rating BTU/HR (Gas)	66,000	NA	85,000	NA	110,000	NA	129,000	177,000
Net Rating Sq. Ft. (Gas)	440	NA	567	NA	733	NA	860	1,180
AFUE Rating (Gas)	85.0	NA	85.1	NA	85.1	NA	NA	NA
Water Capacity	3.6	3.6	4.3	4.3	5.1	5.1	5.8	6.5
Approx. Shipping Weight	300	300	350	350	390	390	430	470

DIMENSIONS (inches)

Cabinet Height	28-7/8"	28-7/8"	28-7/8"	28-7/8"	28-7/8"	28-7/8"	28-7/8"	28-7/8"
Cabinet Width	17-3/4"	17-3/4"	17-3/4"	17-3/4"	17-3/4"	17-3/4"	17-3/4"	17-3/4"
Cabinet Length	19-1/4"	19-1/4"	22-3/4"	22-3/4"	26-1/4"	26-1/4"	29-3/4"	33-1/14"
Supply Outlet Height C.L.	25-5/8"	25-5/8"	25-5/8"	25-5/8"	25-5/8"	25-5/8"	25-5/8"	25-5/8"
Return Outlet Height C.L.	4-1/2"	4-1/2"	4-1/2"	4-1/2"	4-1/2"	4-1/2"	4-1/2"	4-1/2"
Flue Outlet Diameter	6"	6"	6"	6"	6"	6"	6"	6"
Flue Outlet Height C.L.	20-3/4"	20-3/4"	20-3/4"	20-3/4"	20-3/4"	20-3/4"	20-3/4"	20-3/4"

* Direct Vent model



SEPTEMBER 2012 DEPARTMENT OF ENERGY COMPLIANCE

The Solaia is a packaged boiler and incorporates a boiler temperature reset and high limit control that is compliant with the Department of Energy 2012 regulations. With your choice of the Hydrolevel 3250 Control, you have the convenience of a Three Function Control:

1. It is your universal temperature limit and replaces cold-start and triple-action Aquastats.
2. A Low-Water Cut-Off which protects the boiler from damaging dry-fires
3. A fuel saving boiler reset saves fuel by reducing the boiler temperature during non-peak demand.



SOL4-2.5m-10/11



BOYERTOWN
BOILERS • FURNACES • CONTROLS

BOYERTOWN FURNACE COMPANY

P. O. Box 100, 156 Holly Road, Boyertown, PA 19512, Phone 610-369-1450, Fax 610-367-6800

www.boyertownfurnace.com



Constructed and hydrostatically tested in accordance with ASME Boiler Code, Section IV.